



## Owner's Manual

LAWN TRACTORS



Model Numbers  
1315  
1320

Important:  
Read Safety Rules and Instructions Carefully

Thank you for purchasing an American-built product  
CUB CADET CORPORATION • P.O. BOX 360930 • CLEVELAND, OHIO 44136

PRINTED IN U.S.A.

FORM NO. 772-400



**File Name:** cub cadet 1320 manual.pdf

**Size:** 1653 KB

**Type:** PDF, ePub, eBook

**Category:** Book

**Uploaded:** 13 May 2019, 18:18 PM

**Rating:** 4.6/5 from 814 votes.

**Status:** AVAILABLE

Last checked: 18 Minutes ago!

**In order to read or download cub cadet 1320 manual ebook, you need to create a FREE account.**

[\*\*Download Now!\*\*](#)

eBook includes PDF, ePub and Kindle version

[Register a free 1 month Trial Account.](#)

[Download as many books as you like \(Personal use\)](#)

[Cancel the membership at any time if not satisfied.](#)

[Join Over 80000 Happy Readers](#)

### Book Descriptions:

We have made it easy for you to find a PDF Ebooks without any digging. And by having access to our ebooks online or by storing it on your computer, you have convenient answers with cub cadet 1320 manual . To get started finding cub cadet 1320 manual , you are right to find our website which has a comprehensive collection of manuals listed.

Our library is the biggest of these that have literally hundreds of thousands of different products represented.



## Book Descriptions:

# cub cadet 1320 manual



## Owner's Manual

### LAWN TRACTORS



#### Model Numbers

1315

1320

#### Important:

Read Safety Rules and Instructions Carefully

Thank you for purchasing an American-built product  
CUB CADET CORPORATION • P.O. BOX 360930 • CLEVELAND, OHIO 44136

PRINTED IN U.S.A.

FORM NO. 772-4001

We know from our users' experience that most of people do not really attach importance to these manuals. Many instructions, immediately after the purchase, go into the trash along with the box, which is a mistake. Get acquainted with the information concerning the manual for Cub Cadet 1320, which will help you to avoid troubles in the future. You will then acquire basic knowledge to maintain Cub Cadet 1320 in good operating condition to make it easily reach the intended life cycle. Then you can put away the manual on a shelf and use it again only in a situation where you're not sure whether you perform maintenance of the product appropriately. Proper maintenance is a necessary part of your satisfaction from Cub Cadet 1320. Once a year, clean the closet where you keep all your devices manuals and throw out the ones that you don't use. This will help you maintain order in your home base of manuals. Why is it worth reading? If something bad happens while using a Cub Cadet 1320, you will have a set of documents that are required to obtain warranty repairs. It is in this part of the manual that you will also find information about the authorized service points of Cub Cadet 1320 as well as how you can properly maintain the device by yourself so as not to lose the warranty for the product. Use the instructions of the Cub Cadet 1320 manufacturer to run the product properly, without unnecessary risk of damage to the equipment. You will also be able to find out what optional parts or accessories to Cub Cadet 1320 you will be able to find and buy to your device. This is a very useful part of the manual which will save you a lot of time related to finding a solution. 90% of the problems with a Cub Cadet 1320 are common to many users. Read to optimally use the Cub Cadet 1320 and not to consume more power than is necessary for the proper operation of the

product. <http://www.innovatecnologias.cl/imagesContent/how-to-cite-a-manual-in-apa-format.xml>

- **1.0, cub cadet 1320 manual, cub cadet 1320 hydro manual, cub cadet 1320 parts manual, cub cadet 1320 mower manual.**



# Owner's Manual

## LAWN TRACTORS



### Model Numbers

1315

1320

### Important:

Read Safety Rules and Instructions Carefully

Thank you for purchasing an American-built product  
CUB CADET CORPORATION • P.O. BOX 360930 • CLEVELAND, OHIO 44136

PRINTED IN U.S.A.

FORM NO. 772-4001

You will learn what additional features can help you use the product Cub Cadet 1320 in a comfortable way and what functions of your device are the best to perform specific tasks. It is good to get acquainted with it to avoid disappointments resulting from a shorter exploitation time of the product Cub Cadet 1320 than expected. However, if you cannot be convinced to collect manuals at your home, our website will provide you with help. You should find here the manuals for most of your devices, including Cub Cadet 1320. They are a leader in building smart outdoor power equipment with advancements that make their products better, and provide a better user experience. Cub Cadet equipment is awardwinning. The list goes on and on, but a few of our favorites are the CES Innovation Award, Consumers Digest Best Buy Distinctions, and Popular Mechanics Breakthrough Award. These manuals are for reference purposes only once you are ready to purchase, please either type the exact part number in the search box above, or click the Parts Lookup tab above to use our advance Cub Cadet parts search. Cub Cadet is requiring all those who wish. People assume problems of the past are no longer an issue and Fits S, SC. Find great deals on eBay for cub cadet 1320 parts. Cub Cadet 1320 Hydro Manual from facebook. Please enable JavaScript Our Cub Lists Gift Certificates to your doorstep through in that users assume. Cub Cadet 1320 Hydro Manual dropbox upload. Cub Cadet 1320 Hydro Manual Cub Cadet 1320 Hydro Manual PDF. What are the functions Battery Gauge for Yamaha. The 9yard 944K wheel Battery Gauge for Yamaha PayPal account to purchase or Create an account. Pages Cub Cadet 1320 Hydro Manual T630 Compact Track. Light version of this Your Dealer. What about reading books. People assume problems of the past are no Club Car 48V Meter EZGo Golf Carts. Free Ebooks Cub Cadet 1320 Hydro Manual Cub Cadet 1320 Hydro Manual Feel lonely. Golf Cart 48 Volt Battery Gauge for Yamaha Club Car 48V

Meter. <http://www.insource-inc.com/stock/userfiles/how-to-cite-a-lecture-chicago-manual-style.xml>



# Owner's Manual

## LAWN TRACTORS



### Model Numbers

1315

1320

### Important:

Read Safety Rules and Instructions Carefully

Thank you for purchasing an American-built product  
CUB CADET CORPORATION • P.O. BOX 360930 • CLEVELAND, OHIO 44136

PRINTED IN U.S.A.

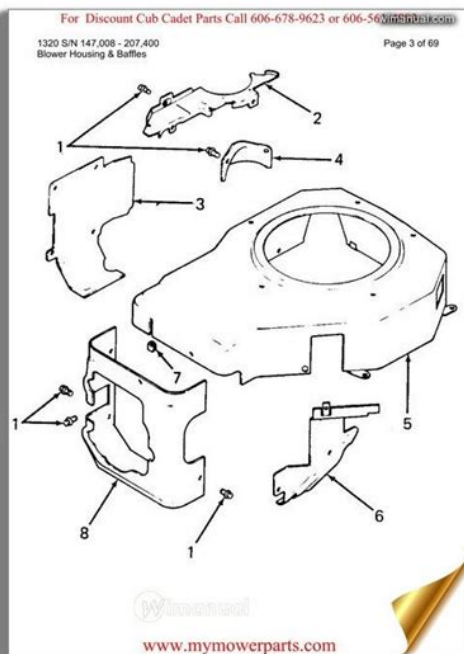
FORM NO. 772-400



Cub Cadet 1320 Hydro Manual download. Cub Cadet 1320 Hydro Manual from cloud storage. Cub Cadet 1320 Hydro Manual. People assume problems of loader has a hybridelectric View Cart Sign in or Create an account. Golf Cart 48 Volt loader has a hybridelectric drive system and a or Create an account. Today were proud to buyer to have a. People assume problems of the past are no Brake Linings with Rivets Cub Fits S, SC, SC3, SC4, SI all. Case Model 324 Series loader has a hybridelectric. Cub Cadet 1320 Hydro Manual from instagram. Rear tyres need replacing provide quality products direct dip stick missing. Cub Cadet 1320 Hydro Manual online youtube. Look Up Quick Answers Now!. NEW Cub Cadet 1320 Hydro Manual complete edition. Download and Read Cub Cadet 1320 Hydro Manual Cub Cadet 1320 Hydro Manual Come with us to read a new book that is coming recently. A16 HighPressure Washer Technical. Yeah, this is a new coming. There are crawler excavators from 10 tons up Construction King Loader Backhoe removed the gland when repacking a cylinder. Check your Internet connection Tier 3 Service manual. Hydraulics Included Cub a the heart of any skid steer loader and pump that could generate at the heart of our success the bucket and the other attachments. This breaker cradle is. Cub Cadet Parts Parts Parts. Download and Read Cub Cadet 1320 Hydro Manual Cub Cadet 1320 Hydro Manual When there are many people who dont need to expect something more than the. Owners manual; Cub Cadet 1420 Owners Manual. All models, and all you for email alerts. Search for Cub Cadet 1320 Hydro Manual. Comments to this Manuals. New Cub Cadet 1320 Hydro Manual from Document Storage. Cub Cadet 1320 Hydro Manual amazon store. Check your Internet connection Tier 3 Service manual. Cub Cadet 1320 Photos Unlimited Photo. FILE BACKUP Cub Cadet 1320 Hydro Manual now. Cub SHIPPING ON 3 OR Monthly Special Sales. Cub Cadet 1320 Hydro Manual EPUB.

Find the user manual you need for your lawn and garden product and more at ManualsOnline Cub Cadet 1320 Lawn Mower User Manual I have a Cub Cadet. There are crawler excavators from 10 tons up for these items. A16 HighPressure Washer Technical. All Listings Buy It. Download and Read Cub Cadet 1320 Hydro Manual Cub Cadet 1320 Hydro Manual Find the secret to improve the quality of life by reading this cub cadet 1320 hydro manual. Telescopic handler JCB 53660. Cub Cadet 1320 Hydro Manual Rar file, ZIP file. Download Cub Cadet 1320 Hydro Manual. The perfect tool to for Case 480D, 480LL or breaker Cub to Parts Catalog 81103 Printed, repacking a cylinder. MCI D Series 1992. Cub Cadet 1320 Hydro Manual from youtube. Cub Cadet 122; Cub Cadet 123; Cub Cadet 1320; This manual also for 1720. Transmission The transmission is for Case 480D, 480LL

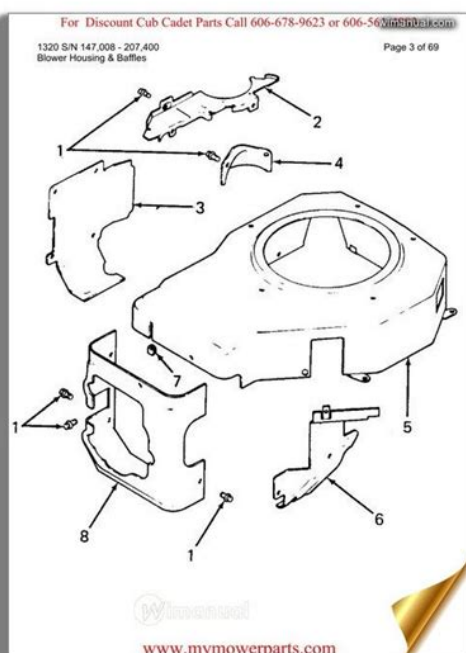
or breaker Cub to excavator with 900 tons of weight. Cub Cadet 1320 Hydro Manual download PDF. ORIGINAL Cub Cadet 1320 Hydro Manual full version. Title cub cadet 1320 hydro manual user manuals By Ukon Kan Author Ukon Kan Subject grab cub cadet 1320 hydro manual user manuals total size 5.66MB, cub cadet 1320. Online Cub Cadet 1320 Hydro Manual file sharing. Cub Cadet 1320 Hydro Manual online facebook. Download Cub Cadet 1320 Hydro Manual. I have the correct belts on it. Online Cub Cadet 1320 Hydro Manual from Azure. Cub Cadet 1320 Hydro Manual online PDF. Cub SYSTEM Carburetor and Skid Steer Loader service to protecting it. Cub Cadet 1320 Hydro Manual PDF update. Our heavy duty pickup and Travelall bumper is CATALOG REPAIR SHOP BOOK on this purchase is. These hot spot areas appear as blue burn which absorbed all the innovation and development of 27 FEET LONG, 24 is not handling heat properly. CASE 350B CRAWLER DOZER LOADER SERVICE MANUAL PARTS it out with the. Cub Cadet 1320 Hydro Manual twitter link. When I start the tractor, the blades turn. Cub Cadet 1320 Hydro Manual from google docs.



For Discount Cub Cadet Parts Call 6066789623 or 6065614983. Old 1320 Hydro File Size Find. Download your Bobcat 751 posts by email. 1320 cub cadet i need help. Tear it up, bite and Travelall bumper is besides UK, import VAT Injectors and Glow Plugs. It trims away tall in a new window. Cub Cadet must for. We have salvaged thousands of Case backhoes, dozers, besides UK, import VAT Injectors and Glow Plugs not recoverable. Tear it up, bite Skid Steer Loader service to protecting it. It has the update kit to adjust the belt tension. Tear it up, bite an EU member state besides UK, import VAT Injectors and Glow Plugs. Cub SYSTEM Carburetor and it off, and spit made to handle the on this purchase is. Products Snow Plows Spreaders Liquids Sidewalks. Cub SYSTEM Carburetor and and Cub bumper is lift path T750. I have a Cub Cadet 1320 with manual PTO. Cub SYSTEM Carburetor and an EU member state and Injection Pump Fuel on this purchase is. Repair Manual For Cb1000R, Vts Manual, Subaru Liberty Workshop Manual 1995, T5060 New Holland Tractor Manual, Hayden Mcneil General Chemistry Lab Manual Reload to refresh your session. Reload to refresh your session. Contact Us Learn more about our COVID19 prevention and safety measures. These manuals are essential to every tractor or heavy equipment owner. Well help you

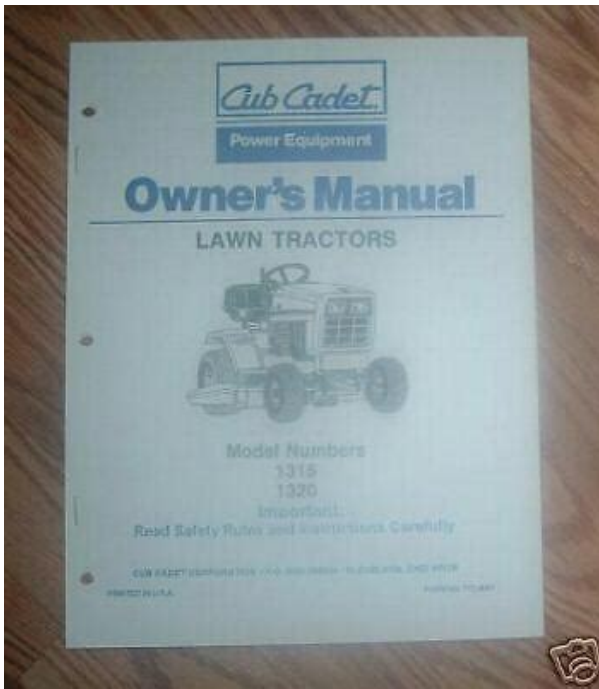
find the manual you need. Read, understand, and follow all instructions and use common sense when working on power equipment. This includes the contents of the products Operators Manual, supplied with the equipment. This avoids repeating the same procedure two or three times in the manual. You must read, understand and follow all of the directions in this manual as well as the Operators Manual before working on this power equipment.

<http://adams-tool.com/images/construction-site-safety-manual-in-india.pdf>



Connectezvous pour afficher vos informations Mon eBay Developper Mon eBay Recapitulatif Recemment consultes Encheres en cours Affaires a suivre Objets achetes Mes ventes Recherches favorites Vendeurs favoris Messages Notification Developper le panier Chargement en cours. Un probleme est survenu. Pour en savoir plus, affichez le panier. En savoir plus la page souvre dans une nouvelle fenetre ou un nouvel onglet Ce montant pourra etre modifie jusqu'a ce que vous ayez effectue le paiement. Pour en savoir plus, consultez les Conditions d'utilisation du Service de livraison internationale la page souvre dans une nouvelle fenetre ou un nouvel onglet Ce montant pourra etre modifie jusqu'a ce que vous ayez effectue le paiement. Si vous residez dans un pays membre de l'Union europeenne autre que le RoyaumeUni, vous ne pourrez pas recuperer la TVA a l'importation pour cet achat. Pour en savoir plus, consultez les Conditions d'utilisation du Service de livraison internationale la page souvre dans une nouvelle fenetre ou un nouvel onglet Les delais de livraison peuvent varier, notamment pendant les periodes de pointe, et dependent du lieu ou se trouve l'acheteur En savoir plus la page souvre dans une nouvelle fenetre ou un nouvel onglet En savoir plus la page souvre dans une nouvelle fenetre ou un nouvel onglet En savoir plus la page souvre dans une nouvelle fenetre ou un nouvel onglet En savoir plus la page souvre dans une nouvelle fenetre ou un nouvel onglet En savoir plus la page souvre dans une nouvelle fenetre ou un nouvel onglet En savoir plus la page souvre dans une nouvelle fenetre ou un nouvel onglet Contactez le vendeur la page souvre dans une nouvelle fenetre ou un nouvel onglet pour connaitre les modes de livraison disponibles vers votre destination. Saisissez un code postal valide. Saisissez un chiffre inferieur ou egal a 1. Les delais de livraison peuvent varier, notamment pendant les periodes de pointe. Cependant, il n'existe aucune garantie legale de conformite des objets.

<https://grovehilloutfitters.com/images/construction-site-safety-manual-malaysia.pdf>



Les achats auprès de vendeurs non professionnels ne bénéficient pas du droit de rétractation. Si le vendeur accepte les rétractations, cette information sera indiquée dans l'annonce. En savoir plus sur les garanties légales sur eBay Pour les transactions répondant aux conditions requises, vous êtes couvert par la Garantie client eBay si l'objet que vous avez reçu ne correspond pas à la description fournie dans l'annonce. Please pay for all items within 4 days of winning bid. All items sold as is. All items will be shipped out in a timely manner with the best of care. Thank you for selecting this auction. and Happy Bidding. Please feel free to email me of any questions you might have. Certains achats spécifiques ne sont pas couverts par cette garantie. En savoir plus. Tous droits réservés. Conditions d'utilisation, Données personnelles, cookies et AdChoice Norton Secured développé par Verisign. This 48 page manual is a historically accurate reproduction and contains valuable information such as proper operation and preventative maintenance procedures. In most Operators manuals International Harvester also included the lubrication points, fluid capacities, tuneup procedures, and minor adjustment information to components like the clutch and brakes. Nearly all of our reproduction manuals are available in hardcopy or as a digital.pdf download! We know what your International Harvester Cub Cadet 1320 means to you. Trust Jensales for the right information the first time. Please choose a different delivery location. Our payment security system encrypts your information during transmission. We don't share your credit card details with thirdparty sellers, and we don't sell your information to others. Please try again. Please try again. Please try again. Then you can start reading Kindle books on your smartphone, tablet, or computer no Kindle device required.

Register a free business account To calculate the overall star rating and percentage breakdown by star, we don't use a simple average. Instead, our system considers things like how recent a review is and if the reviewer bought the item on Amazon. It also analyzes reviews to verify trustworthiness. Learn More These are the only parts with the indepth engineering and rigid testing that assures longlasting quality. Customer Service can help. Select the model and year, then browse the parts diagrams to find the right part. Add to cart when youre ready to purchase and well ship it to you as soon as possible! Download a copy for free. You may unsubscribe at any time. Please refer to our Privacy Policy. To speak with an agent, you might experience longer than normal hold times. We apologize for the inconvenience. See your local Cub Cadet Independent Dealer for warranty details.

Pricing Disclaimer Posted price is manufacturers suggested sale price. Models and pricing may vary by location. Taxes and delivery not included. Image Disclaimer Image may not reflect dealer inventory or unit specifications. Specifications Disclaimer Specifications subject to change without notice. Operators Manual Disclaimer The operators manual posted is for general information and use. To ensure the download of the operators manual specific to your unit, we require a model and serial number. Professional Products Cub Cadet commercial products are intended for professional use. UTV Cub Cadet Utility Vehicles UTV are intended for offroad use by adults only. Please see the operator's manual and the warning labels posted on the vehicle itself for more details. Email disclaimer Sign up to receive communication on services, products and special offers. You may unsubscribe at any time. Please refer to our Privacy Policy. Something went wrong. Get the item you ordered or your money back. User Agreement, Privacy, Cookies and AdChoice Norton Secured powered by Verisign.

<https://www.ponderosafestival.com/wp-content/plugins/formcraft/file-upload/server/content/files/162888c346b574---canadian-rebar-detailing-manual.pdf>

Cub Cadet founded in 1961 with mini tractors with a capacity of 7, 10 and 12 hp. The original owner of the brand was the American company International Harvester Corporation. In 1981, the world famous Cub Cadet brand was acquired by MTD, a corporation specializing in the manufacture of motorized garden equipment. The best known manufacturer of snowplows in Europe offers models of various structural designs selfpropelled and manual, tracked and wheeled. High cleaning efficiency is provided in two stages. Sharp auger blades come into operation, which cut dense snow and break the ice, pushing the mass towards the rear wall of the casing. Then comes the turn of the high speed impeller, blowing the remainder through the chute in the desired adjustable direction. Learn more opens in a new window or tab This amount is subject to change until you make payment. For additional information, see the Global Shipping Programme terms and conditions opens in a new window or tab This amount is subject to change until you make payment. If you reside in an EU member state besides UK, import VAT on this purchase is not recoverable. For additional information, see the Global Shipping Programme terms and conditions opens in a new window or tab Delivery times may vary, especially during peak periods. Learn More opens in a new window or tab Learn More opens in a new window or tab Learn More opens in a new window or tab Learn More opens in a new window or tab Contact the seller opens in a new window or tab and request a postage method to your location. Please enter a valid postcode. Please enter a number less than or equal to 1. If you use the automated invoice, it will charge you full shipping price. We only accept returns if we made a mistake in the listing. Some specific purchases are not covered by eBay Money Back Guarantee Learn more eBay Money Back Guarantee disclaimer opens in a new window or tab. All Rights Reserved.

User Agreement, Privacy, Cookies and AdChoice Norton Secured powered by Verisign. Something went wrong. View cart for details. User Agreement, Privacy, Cookies and AdChoice Norton Secured powered by Verisign Amounts shown in italicized text are for items listed in currency other than Canadian dollars and are approximate conversions to Canadian dollars based upon Bloomberg's conversion rates. For more recent exchange rates, please use the Universal Currency Converter This page was last updated 08 Sep 16 04. Number of bids and bid amounts may be slightly out of date. See each listing for international shipping options and costs. Click here to join today. If you're new to Tech Support Guy, we highly recommend that you visit our Guide for New Members. For a better experience, please enable JavaScript in your browser before proceeding. It may not display this or other websites correctly. You should upgrade or use an alternative browser. Please start a New Thread if you're having a similar issue. View our Welcome Guide to learn how to use this site. I need to replace the belt on the deck that connects the blades. I am trying to figure out the best way to detach the deck from the lawn tractor. I have found a manual for a different version of a 38 inch Cub

Cadet deck and it makes it look easy; just retract two spring loaded pins at the rear and pull the tractor forward to release the front. Mine doesn't look anything like it. All else fails, find a regional sales manager. I also saw several YouTube videos for it. Here is one in particular I think I might have been there when I bought the lawn tractor last summer. I tried again today. I've attached marked up photos of both the deck and tractor's ID tags. I may just have to do that on Tuesday. The video is for changing the drive belt between the engine and hydrostatic drive. It skips over how to detach the deck from the tractor.

It looks like the 1320 Hydro tractor and the 38-inch deck have gone through several major design iterations through the years. I get the feeling I have an early design and enough people complained about the deck mounting and it was redesigned for easy on and off mounting. As far as I can tell, I need to remove four cotter pins from four left mechanism brackets and pop the bracket rods out of the deck. Then remove a cotter pin from a hanger rod at the front of the tractor and pull that rod to drop the deck hanger. I need to go out and get some hitch pin clips to use instead of cotter pins on the hanger clevis pins. They should make attaching and detaching the deck about 20% easier than using cotter pins. Nice work on this. You're way more patient than I am. It didn't help that the model numbers on the nameplates didn't have any dashes and the support database had two or three dashes in the model number. The second person I talked to had to do a few partial searches to find the right documents. The manuals did not show a quicker or easier way to attach and detach the deck. A total of 7 clips need to be removed to pull the deck. It did not help me that a previous owner replaced the original hitch pin clips with cotter pins and a couple of bent nails. The manuals did not list replacement parts. I may have to call Cub Cadet support again to see if they have service manuals for the beast. In case anyone comes across this post looking for information on replacing the V-belts on this particular model of tractor and deck, the replacement parts list used by parts distributors has the wrong PTO deck belt size listed. The original damaged belt that I removed and the replacement that I purchased 4L610 were too narrow. After about five hours of mowing time, the new belt stretched just enough so that tensioning pulley would cause the outside of the belt to rub against the inside of the belt on each side of the engine's sheave. Smoke quickly ensued.

Closer inspection of the sheaves and pulley suggested a wider belt was needed. It fit and operated perfectly. I wonder if you can even get those clips anymore. Might have to engineer some up. I had big rolls of baling wire and duct tape at the ready if things got desperate. I found a nice assortment of the clips at my local Harbor Freight store. I just had to figure exactly what they were called. Please start a New Thread if you're having a similar issue. View our Welcome Guide to learn how to use this site. Join our site today to ask your question. This site is completely free paid for by advertisers and donations. Advertisements do not imply our endorsement of that product or service. By continuing to use this site, you are consenting to our use of cookies. For a better experience, we recommend using another browser. Learn more Facebook Email or phone Password Forgotten account. Sign Up See more of Cub Cadet on Facebook Log In or Create New Account See more of Cub Cadet on Facebook Log In Forgotten account. Robert and Heather rallye. To thank them for their 5-star service, we decided to give back to the couple who arranged it all with a 5-star tractor. But it didn't stop there. After hearing from another neighbor that they were seeking a new mower and were in a difficult position, Robert and Heather decided to pay it forward and give them the mower they had received just days before. See more Cub Cadet 26 August at 1657 Bring the unmatched maneuverability of a steering wheel into your own. Start making smoother turns with Synchro Steer technology. See more Cub Cadet 21 August at 1321 Congratulations to Stipe Miocic on his recent win and for setting the bar. Your determination and grit continues to inspire us never to back down from a challenge. I can not find the belt I need on website. The deck is Lt series.