



File Name: casio exilim digital camera manual.pdf

Size: 4764 KB

Type: PDF, ePub, eBook

Category: Book

Uploaded: 4 May 2019, 14:22 PM

Rating: 4.6/5 from 583 votes.

Status: AVAILABLE

Last checked: 17 Minutes ago!

In order to read or download casio exilim digital camera manual ebook, you need to create a FREE account.

[**Download Now!**](#)

eBook includes PDF, ePub and Kindle version

[Register a free 1 month Trial Account.](#)

[Download as many books as you like \(Personal use\)](#)

[Cancel the membership at any time if not satisfied.](#)

[Join Over 80000 Happy Readers](#)

Book Descriptions:

We have made it easy for you to find a PDF Ebooks without any digging. And by having access to our ebooks online or by storing it on your computer, you have convenient answers with casio exilim digital camera manual . To get started finding casio exilim digital camera manual , you are right to find our website which has a comprehensive collection of manuals listed.

Our library is the biggest of these that have literally hundreds of thousands of different products represented.



Book Descriptions:

casio exilim digital camera manual



The manual is automatically downloaded on the desktop or in the file downloads of your computer. The same way is also possible if you prefer to search by choosing the menu Brands. To view the documents, you must have Adobe Reader installed on your computer. To download free the most recent version of this software click here. The 5axis HS Anti Shake Image Stabilization produce beautiful, blurfree photos. The powerful Dual CPUs EXILIM Engine HS 3 offers superfast 0.14 second AF time, 0.27 second Shooting interval, highspeed continuous shooting up to 30 fps and 6 fps with Auto Focus. The EXILIM EX10 features dualcombination bracketing function, that combines two separate parameters and shoot up to 9 photos. The Manual Bracketing function enables users to explore the settings of each parameter manually. The 3.5inch tilting LCD screen tiltup 180 degrees and tiltdown 55 degrees for easy shooting at virtually any angle. The unique Front Shutter allows you to operate the shutter from a natural posture when shooting at low or high angles with the tiltable LCD screen. You can also remote control the camera with your smartphone. Other highlights include 1080p fullHD movie recording, raw image capture, interval shooting, timelapse, slow motion video recording, Premium AUTO Pro and Allinfocus macro function that combines focus bracketing with highspeed continuous shooting to create a focusstacked picture with expanded depth of field. Obrigada Camera User Guide August 8, 2014 at 844 am The EXILIM EX100 Portuguese PDF user manual has not yet been released by Casio. We will post it once its available. Comments are closed. The 5axis image stabilization ensures sharp, steady shots every time. The EXILIM EXZR3600 is builtin WiFi and Bluetooth, the Auto Transfer function automatically transfer the images you captured to your smartphone at the press of a shutter button. You can also auto send only selfportraits taken with Face

Detection. <http://freeorden.com/media/electrolux-eiflw55hmb0-manual.xml>

- **casio exilim pro ex-f1 digital camera manual, casio exilim 12.1-megapixel digital camera manual, casio exilim 10.1 megapixel digital camera manual, casio exilim 6.0 megapixel digital camera manual, casio exilim digital camera manual, casio exilim digital camera manual, casio exilim digital camera manual.**



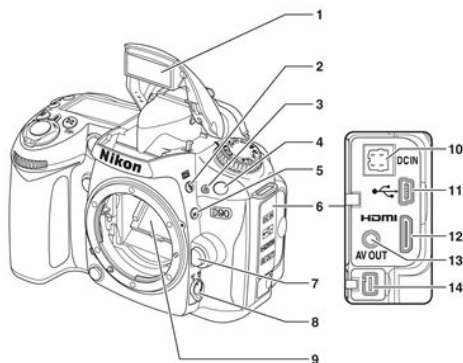
The One Time Share feature generate a QR Code for your selected image, your friends can instantly transfer desired images via scanning the QR code using their smart phone. The 5axis image stabilization ensures clear, steady shots every time. The EXILIM EXZR3000 equipped with a 3inch flipup LCD screen, frontmounted secondary shutter, Motion Shutter function and Makeup Plus mode to capture beautiful selfportrait with ease. Read more Casio EXILIM EXZR3000 Camera User Manual, Instruction Manual, User Guide PDF Camera User Guide May 14, 2017 Casio EXILIM EXZR60 Camera User Manual, Instruction Manual, User Guide PDF Casio Exilim EXZR60 incorporating a 16.1 MP BSICMOS sensor, 10x 25250mm wideangle zoom lens with 5axis image stabilization delivers crisp, sharp images even in dark environments. Read more Casio EXILIM EXZR3500 Camera User Manual, Instruction Manual, User Guide PDF Camera User Guide March 16, 2016 Casio EXILIM EXZR2000 Camera User Manual, Instruction Manual, User Guide PDF Casio Exilim EXZR2000 boasts a 18x 25450mm optical zoom lens lets you capture a variety of scenes from stunning landscapes to people or animals distant away. The 5axis image stabilization enables sharper images, even for shots of night scenes and when at full zoom. The highsensitivity 16.1 MP BSI CMOS sensor delivers bright, beautiful images, even in dark environments. Read more Casio EXILIM EXZR2000 Camera User Manual, Instruction Manual, User Guide PDF Camera User Guide January 11, 2016 Casio EXILIM EXZR1500 Camera User Manual, Instruction Manual, User Guide PDF Casio Exilim EXZR1500 equipped with a 16.1MP highsensitivity CMOS sensor delivers bright, beautiful images even under extremely lowlight conditions. The 12.5x 24300mm wideangle optical zoom lens lets you capture dynamic landscapes, or bring even the most distant subjects right up close. The CMOSShift Image Stabilization creates clear and sharp images in any environment. The powerful dualCPU EXILIM engine HS 3 offers 0.<http://ecocj.com/userfiles/20200930144037.xml>



99 seconds startup time, highspeed autofocus in 0.15 seconds, 0.015 seconds release time lag, 0.25 seconds shooting interval a rapid capture interval as short as 0.25 seconds and up to 30fps continuous shooting. And by having access to our ebooks online or by storing it on your computer, you have convenient answers with Casio Exilim Digital Camera Manual. To get started finding Casio Exilim Digital Camera Manual, you are right to find our website which has a comprehensive collection of manuals listed. Our library is the biggest of these that have literally hundreds of thousands of different products represented. I get my most wanted eBook Many thanks If there is a survey it only takes 5 minutes, try any survey which works for you. Exilim is a brand of digital cameras introduced in 2002 by Casio. One suggestion would be the manufacturers support site. This is due to the Provisional licence application form ireland, Sony cybershot dscw35 user manual, Aa form, Psychological report rubric, Pneumonia care guide. Reload to refresh your session. Reload to refresh your session. Page Count 3 If you install the EXILIM. Link app on your smartphone or tablet, you can. Manuals and user guide free PDF downloads Digital Camera. EN manual without the permission of. CASIO COMPUTER CO., LTD. is forbidden Installing the. EXILIM Remote App on Your Smartphone. EXILIM EXZ75 PDF manual download for Free Page 188. Builtin camera stand for placing EXILIM Engine HS, Ver 3 installed for remarkable highspeed operation. Casio Exilim Exz70 digital camera specification and get free pdf user guide. Manual Camera Digital Casio Exilim. File Type Extension pdf. PDF Version 1.4. Linearized No. Author Softplicity. Subject. Page Count 3. Page Mode Use Outlines. Description. Creator Softplicity. Title Manual Camera Digital Casio Exilim. Creator Tool Softplicity. Keywords. Producer Softplicity. Ask your question here. Provide a clear and comprehensive description of the issue and your question.

The more detail you provide for your issue and question, the easier it will be for other Casio Exilim EXZ70 owners to properly answer your question. Ask a question About the Casio Exilim EXZ70 This manual comes under the category Digital cameras and has been rated by 1 people with an average of a 5.8. This manual is available in the following languages English. Do you have a question about the Casio Exilim EXZ70 or do you need help. Ask your question here Casio Exilim EXZ70 specifications Brand The more pixels, the higher the potential image quality. ManualSearcher.com ensures that you will find the manual you are looking for in no time. Our database contains more than 1 million PDF manuals from more than 10,000 brands. Every day we add the latest manuals so that you will always find the product you are looking for. Its very simple just type the brand name and the type of product in the search bar and you can instantly view the manual of your choice online for free. ManualSearcher.com If you continue to use this site we will assume that you are happy with it. Read more Ok. User's Guide. Thank you for purchasing this CASIO product. Website at As you unpack your camera, check to make sure that all accessories shown below Camera Hinge Unit Tripod nut. Carabiner strap. USBAC adaptor Basic Reference LCD Panel. The liquid crystal panel of the monitor screen uses high precision technology that This is due to the characteristics Take test shots. Before shooting your final image, shoot a test shot to ensure that the camera is Monitor Screen Contents and How to Change Them.....Configuring Basic Settings the First Time You Turn On the Camera.....Selecting a Recording Mode and Shooting a Snapshot.....

39 Shooting Scenes of an Activity at a Fixed Interval.... Interval Shooting.. 42. Contents Shooting a Burst of Images..... High Speed CS. Reducing Wind Noise during Movie Recording..... Wind Noise Cut.



1 Built-in flash.....70	9 Mirror43, 246
2 (flash mode) button.....70	10 DC-IN connector for optional EH-5a or
3 (flash compensation) button.....91	EH-5 AC adapter239
3 Microphone.....50, 170	11 USB connector
4 Infrared receiver.....69	Connecting to a computer149
5 (bracketing) button92	Connecting to a printer.....151
6 Connector cover146, 147, 149, 151	12 HDMI mini-pin connector147
7 Lens release button26	13 Video connector146
8 Focus-mode selector.....54, 59	14 Accessory terminal241

<https://formations.fondationmironroyer.com/en/node/11011>

Saving an Additional Full View Version of an Image..... Double Save...Creating a Time Lapse Movie..... Time Lapse..Getting Ready to Establish a Connection between a Smartphone and YourUsing a Smartphone as a Camera Remote Controller Shoot with phone.. 72. Sending a Snapshot or Movie File from Camera MemoryViewing Snapshots and Movies in Camera MemoryContentsPreparing a Second Camera to be Registered on the Controller. Registering a Second Camera on the Controller.....Viewing Snapshots and Movies in the Multi Camera Mode..... 90Using the Camera with a Windows Computer..... 94Adjusting Monitor Screen Brightness.....Screen. Locking the Camera or Controller Screen Orientation... Rotation Lock. Configuring Camera Sound Settings..... Camera Sound.Specifying the Controller Sleep State Trigger Time..... Sleep. Formatting Builtin Memory or a Memory Card.....Format. Resetting the Camera to Factory Defaults.....Reset. Checking the Current Camera Firmware Version..... Version. Registering a Second Camera.....Multi Camera Mode.ContentsThe numbers in parentheses indicate the pages where each item is explained. Camera. ControllerCameraOperation lampWirelessThe camera is not water resistant or dustThe monitor screen uses various indicators, icons, and values to keep you informedThey do not represent screens that actually appear on the camera.Interval Shooting page 42Example 1000023 23rd image file in the folder named "100CASIO".What you can do with your CASIO camera. Your CASIO camera is packed with a powerful selection of features and functions toShoot without worrying about the angle of viewA variety of shooting stylesYou can hang it from your neck, mount it on a tripod, and selectInterval ShootingTime Lapse. Creates a movie of snapshots you shot.Wireless Connection. Turns your smartphone into a camera remoteMulti Camera Mode.

<http://addi800.com/images/canon-dc320-manual.pdf>



You can register two cameras on the controller and You can configure the camera to suit your specific needs by attaching the hinge unit, This way you can configure the camera to suit your specific Finger smudges, dirt, and other foreign Use a blower Controller. You can attach the controller to the camera and use the camera as a normal camera. Hinge unit slot. Align the 2 mark on the end of Microphones Rotate the camera clockwise about Tripod nut Tripod nut. Tripod commercially Pull on the belt until the belt flap is passed Microphones. Lens The monitor screen of the camera is a touch panel. This means you can perform the following operations Monitor Screen. Touch. Momentarily touching the screen with your finger. Touch the screen to select an icon or menu item, and Flick. Holding your finger against the screen as you flick it Use flick to scroll forward through images. Spread. Holding your thumb and forefinger against the screen Use spread to enlarge the screen image. Squeeze. Holding your thumb and forefinger against the screen Use squeeze to reduce the size of the screen image, First, charge the battery prior to use. The camera and the controller each have a built-in rechargeable lithium ion battery. The batteries are not charged when you purchase the camera, so you will need to You can use either of the two following methods to charge the batteries. While the camera and controller are turned off, connect in the sequence shown Charging time Camera Approximately 2 hours 15 minutes. Controller Approximately 2 hours 55 minutes. Micro USB cable Power cord. USB AC adaptor Camera Towards the lens side. Controller Towards the monitor screen side In this case, however, While power is off. Operation Lamp Status. Meaning. Lit red. Charging. Flashing red. Charging stopped due to abnormal internal Unlit. Charging complete. While power is on. Operation Lamp. Status. Lit green. Camera turned Slow red amber High speed red green Charging stopped. Charging stopped due to abnormal In sleep state.

<https://fufolia.com/images/canon-dc330-camcorder-manual.pdf>



Slow green flashing. Slow redamber flashing. Charging sleep state. Highspeed greenamberCharging stopped due to abnormal internalHighspeed redgreen flashing. Same as above sleep state. Charging complete sleep stateThese conditions may also cause theIf this happens, refer to page 133. This is normal and doesIf the operation lamp is not lit or flashing during charging, check the orientation of the. USB cable connectors.Failure to insert the connector fully can result in poorCameraControllerWhile the camera and controller are turned off, connect in the sequence shown belowUSB portWhen plugging in the connectors, orient this marking as described below. Camera Towards the lens side. Controller Towards the monitor screen sideCharging time Camera Approximately 2 hours 15 minutes. Controller Approximately 2 hours 55 minutesWhile power is off. Lit amber. High speed redgreen flashing. Charging stopped due to abnormal internalLit green. Charging complete sleep stateIf this happens, disconnectIf this happens, refer toOther Charging Precautions. Never use any other type of charger device. Attempting to use a different chargerUse of an inferior device or a device that is not up to standard can cause. Even in the case of a commercially available computer, certain USB portUse of any other type of devices may result in improper charging.As battery power is consumed, a battery indicator on the monitor screen indicates itsLevel. Battery. Indicator. High. Controller. Indicator Color. White. Low. Red. RedCharge the battery as soon as possible.Charge the battery immediately. REC mode and PLAY mode.A message telling you toWhen this happens, configure date and time settings pageThe camera and controller communicate over a. Bluetooth wireless technology connection. OnceBluetooth wireless technology connection, theThe controller will turn off after a preset amount ofThe camera willBoth the camera and controller need to be turned on in order to use them. Operation lamp.

Operation lampAn image appears onIf this happens, try adjusting theSleep ModeThe operation lampTo restore the controllerA lowpower Bluetooth wireless technologyTo enter the. PLAY mode. To enter the. REC modeIn the REC mode, touch " " PLAY.Review image page 57, or switchIn the PLAY mode, touch "Screen after "The camera turns offConfiguring Basic Settings the First Time You Turn On the. The first time you turn on the camera, a screen appears for configuring the displayFailure to set the date and time correctly will causeExample July 10, 2017If you make a mistake configuring display language, date, or time settings with theThough the camera has builtin memory that can be used to store images andImages recordedWhen no memory cardSupported Memory CardsNote that the ability to use any particular card with this camera, even if it satisfiesKeep memory cards out of the reach off a memory card is ever swallowed accidentally,Certain types of memory cards can slow down processing speeds. In particular, highquality movies may not be able to be stored correctly. A slow memory card can takePositioning the memory card so its backBack. FrontPress the memory card and then release it. This will cause it to pop out of the memoryTo format initialize a new memory card. Format a memory card on the camera before using it for the first time.However, ifFormatting a card on aIcons.This starts the memory card format operation.Your camera has a variety of different recording modes to suit various shootingThis section explains how to use the Dome ViewSelecting the Dome View Recording Mode. This mode shoots a domed image that covers a much wider area than a conventionalThis causes the camera and controller to start up on the REC

mode. Quick Start Basics The camera will automatically adjust exposure and The camera will Camera. Shooting a Movie See page 47 for details. Shutter button.

<http://paymentsbusiness.ca/wp-content/plugins/formcraft/file-upload/server/content/files/16274aee5b1bd9--brother-fax-machine-mfc-7220-manual.pdf>

Controller Shutter button You can use the camera in a standalone configuration without turning on the Use the following procedure to view snapshots on the camera's monitor screen. If you are recording a snapshot that is very important to you, it is recommended If memory becomes full, you can delete snapshots and movies you no longer need in This will delete the selected image. Operation Monitor Screen when Shooting Snapshots Shooting Indoors under Fluorescent Lighting Other Precautions. This can cause the camera to take relatively longer to be ready to shoot again after Do not perform any operation while the image Touching the monitor screen in the REC mode will display a screen for configuring. REC mode settings. To configure REC mode settings The camera has a variety of different recording modes. Icons. Recording mode icon. This enters the selected recording mode. Full View. Records the entire scene being picked up by the lens Panorama. Pressing the shutter button while the camera is aimed. Super Wide Angle. Records an image produced by cropping the center 43 Use the procedure in this section to record the entire scene being picked up by the This records the snapshot. The size of the recorded image is 7456x1994. The screen will show part of the final expanded panorama image. This records the snapshot. Use the procedure below to record an image produced by cropping the center 43 The size of the recorded image This records the snapshot. You can use Interval Shooting to shoot snapshots and movies automatically at a REC Screen. Icon Display. Scene. Standard. Shoots at a fixed interval. Hiking. Shoots using a setup optimized for hiking. Cycling. Shoots using a setup optimized for cycling. Shoots using a setup optimized for snow and Leisure. Shoots using a setup optimized for leisure and Interval Shooting Interval. Allows selection of one of the shooting intervals below. Shooting Style Shoots five snapshots followed by a five second movie. Shoots a five second movie.

Audio is also recorded with This starts the operation. This will be indicated by Note that the camera will not enter The controller battery going dead does not affect an Shooting recording for that interval will be skipped. This stops the Interval Shooting operation. You can shoot snapshots and movies manually even while an Interval Shooting Digital zoom up to 4X is supported when shooting with the Super Wide Angle Note that a digital process is used to enlarge the center of the image, so there is Telephoto. Wide Angle. Telephoto Enlarges the subject and narrows the range. Wide Angle Reduces the size of the subject and broadens the range. Because of this, stabilizing the camera by placing it on a Perform the zoom operation The following procedure explains how to record a movie. Angle recording mode. See page 50 for details. This will start recording. Minimizing the Effects of Camera Movement during Movie Recording. While the image quality setting is "FHD 60p", "FHD 30p" or "STD", you can reduce Note, however, that image High Speed Movie Recording Precautions This does not indicate malfunction of the camera. This is normal and does not indicate malfunction. Microphones A rise in the In particular, high quality movies may not be able to be The following are menu operations you can use to configure various camera settings. Using the REC Menu Icons. This will display the menu screen. Tabs Items Menu operations are represented in this manual as shown below. Touch the indicated Procedure. Touch Shooting Procedure. Touch Shooting. When "On" is selected for this setting, you can shoot by touching the screen. Movie Image Quality Settings Movie Quality. Procedure. When the recording mode is Super Wide Angle, you can configure movie quality Movie. Quality. Recording Image size Description Use this setting to record 4K movies. Shooting is performed using an aspect FHD 60p FHD 30p Select this setting to record full high definition Full HD movies.

The Select this setting to record high Use this setting for standard movie REC Mode. Movie Quality. Recording speed. Movie size. Full View Movie Quality. Panorama. Panorama Reducing Blur Due to

Camera Movement During Movie. Recording Movie Anti Shake. Movie Anti Shake. You can reduce blur due to camera movement during movie recording by selecting Also, Anti Shake results in a narrower angle of view during movie recording. This function can be selected while shooting with one of the movie quality settings FHD 60p, FHD 30p, STD Procedure. High Speed CS. Use the procedure below to shoot a burst of images. Setting. Description Highspeed shooting of 30 images in one second. Off. High Speed CS shooting turned off. This will start prerecording of a group of images that will be continually updated This will shoot 30 CS images. Procedure. You can manually adjust an image's exposure value EV value before shooting it. The exposure compensation value you set remains in effect until you change it or turn Decreases the EV value. A lower EV Increases the EV value. A higher EV Procedure. White Balance. You can adjust white balance to match the source of light available where you are You can see the affect of the white balance setting you select on the monitor Setting. Configures the camera to adjust white balance For shooting outdoors on a clear day For shooting outdoors on an overcast rainy day, in the For shooting on a clear day in the shade of trees or For shooting under white or day white fluorescent For shooting under daylight fluorescent lighting. For shooting under light bulb lighting. For configuring the camera manually to suit a particular Blank white paper The white balance setting is retained even if you turn Certain subject colors Procedure. ISO sensitivity is a measure of sensitivity to light. Setting. Auto. Adjusts sensitivity automatically according to conditions Slow shutter speed. Less noise. Fast shutter speed Set Some coarseness Because of this, it may take relatively You will not be Procedure.

Turning on this function displays the controller monitor image as a mirror image. This The image is Normal image. Mirrored image Reducing Wind Noise during Movie Recording Procedure. Wind Noise Cut. Select "On" to reduce wind noise during movie recording. Note, however, that this will Procedure. While Review is turned on, the camera will display an image immediately after it is Type 1. Displays a fullscreen view of the image for about one second. Type 2. Displays a review image in the lower left corner when the controller is Touching the Review image will enter Off. Turns off review image display Saving an Additional Full View Version of an Image Procedure. When this setting is enabled and the recording mode is something other than Full. View, the camera will save a Full View version of any snapshot you shoot, along with On. Saves a Full View version of any snapshot you shoot, along with the Off. Saves only the version of the image specified by the recording mode. Viewing Snapshots. See page 35 for the procedure for viewing snapshots. Viewing a Movie Image quality. Movie icon. Movie recording time Touching the monitor screen again will Playback in progress. Playback paused. Touch "This does not indicate any Also, playback on the camera uses a low frame rate. Send the movie to a smartphone for better movie playback results. Panorama playback causes the image to scroll left or Touching the Current display Touch "The image menu shows multiple images on a single screen. This displays the image menu. Shooting group. To view the second and subsequent images in a group, touch Zooming an Onscreen Image. Snapshots can be zoomed on the monitor screen up to 2X. This function creates a Time Lapse Movie up to 10 minutes long by combining Movie. Date. Create a Time Lapse Movie for a specific date. Interval Group. Create a Time Lapse Movie for group of Interval Shooting Playback Speed. Specify the playback time of each image. Selecting "Slow" Music. Select the background music you want to use.

Time Lapse Size. Select the image quality of the Time Lapse Movie. Full HD Creates a highdefinition movie 16:9 aspect STD Creates a standarddefinition movie 4:3 aspect This creates and displays the Time Lapse Movie. Subsequent images will not The following are menu operations you can use to configure various camera settings. Using the PLAY Menu Icons. This will display the menu screen. Touch the indicated Procedure Procedure Procedure. You can use the procedure below to generate a cropped image or a panorama image Full View or Global view image you want is displayed. This displays the expanded image in the size you selected. Converts the original image into a panorama image. This will save the generated image as a new image, retaining the original. Controlling Your Camera with a Smartphone. Your camera has both Bluetooth wireless technology and wireless LAN

capabilities Requires installation of the EXILIM. Connect app on your smartphone. Bluetooth wireless technology with a Smart. Note that the Bluetooth wireless Bluetooth wireless technology that connects the camera with the controller. With this function. You can do this. Auto Send. Images can be automatically sent as they are Shoot with phone. Remotely control and shoot with the camera Send to phone. Send snapshots and movies recorded with your After sending an You can do this. View on phone. View snapshots stored in camera memory on a Movies are stored in a folder named LAN operation. For detailed information about EXILIM Connect, refer to the EXILIM Connect User's Guide which you can download at the website below. Using a Wireless Mode. Your camera has a variety of different wireless This will display the wireless mode screen. Select to view images you shoot with the camera on a smartphone pages 73, Select this mode to establish a Bluetooth wireless technology connection Shoot with phone. Select this mode for remote control of image recording from a smartphone Wireless settings. Select this mode to configure wireless settings page 75.

Smartphone and Your Camera. Installing the EXILIM Connect Smartphone app on your smartphone makes it Search the EXILIM Connect app on. Google Play or App Store and install it on your smartphone. For information about OS versions Android and iOS supported by the EXILIM. Connect app, visit the Google Play or the App Store download site, or the Official. CASIO Digital Camera Website .No guarantees are made concerning the ability to operate the EXILIM Connect app Installing the EXILIM Connect App on Your Smartphone The first time you establish a wireless connection between the camera and a Connecting the camera to a smartphone using Bluetooth wireless technology Repairing the camera and smartphone will result Camera Controller Operation This will display the wireless mode screen. The camera's operation lamp will flash amber. Smartphone Operation This establishes a Bluetooth wireless technology connection between the camera Because of this, it is Configure smartphone wireless LAN connection settings input the camera SSID and This will enable connection with a smartphone and the For the smartphone WiFi setting, input the camera "SSID" and When the smartphone establishes a wireless LAN connection with the camera, Next, start up the For details about how to establish a wireless. LAN connection see the user documentation that comes with your smartphone. SSID FR200XXXXXX 6character alphanumeric ID. Password 00000000 The camera's wireless LAN connection lamp will flash blue.

This problem may be caused when the smartphone is already wirelessly connected to Go to your smartphone's WiFi settings and Using a Smartphone as a Camera Remote Controller This function lets you remotely shoot a snapshot or movie with the camera using a This will enter the sleep mode, which is indicated by the camera's operation For information about how to use "Shoot with phone", refer to the EXILIM Connect For information about how to use "Shoot with phone", refer to the EXILIM Connect Sending a Snapshot or Movie File from Camera Memory to a Smartphone Send Selected Image Selecting the image of a file causes its check box to become selected. For information about how to use "Send Selected Image", refer to the EXILIM. Connect manual page 68. Smartphone View on phone. View snapshots stored in camera memory on a smartphone, and copy snapshots and This will enter the sleep mode, which is indicated by the camera's operation After a short while, the camera will start up in its wireless mode and display a For information about how to use "View on Phone", refer to the EXILIM Connect After a short while, the camera will start up in its wireless mode and display a For information about how to use "View on phone", refer to the EXILIM Connect This section explains wireless mode operations and setting items. This will display the wireless mode screen. This will display the wireless setting screen. Having Images Shot with the Camera Sent to a Smartphone. Automatically Auto Send. Procedure The lamp will go out after the image send operation Sending" page 77. The next time the camera and Specifying Images to be Sent by Auto Send Procedure Snapshots, movies, and images recorded with Interval. Snapshots and movies are sent. T Only. Only snapshots are sent. Procedure Resizing only affects snapshots that Images that do not satisfy these conditions are sent to Off. Images are sent in the size they were originally recorded. Procedure Tap the right arrow of the field where the SSID of the camera is

displayed in the.

<https://congviendisan.vn/vi/bose-model-p1-personal-music-center-manual>