



**Basic
Camera User Guide**

Please Read This First

This guide explains how to prepare the camera and use its basic features.



File Name: canon a540 repair manual.pdf
Size: 3090 KB
Type: PDF, ePub, eBook
Category: Book
Uploaded: 2 May 2019, 19:18 PM
Rating: 4.6/5 from 638 votes.

Status: AVAILABLE

Last checked: 2 Minutes ago!

In order to read or download canon a540 repair manual ebook, you need to create a FREE account.

[Download Now!](#)

eBook includes PDF, ePub and Kindle version

- [Register a free 1 month Trial Account.](#)
- [Download as many books as you like \(Personal use\)](#)
- [Cancel the membership at any time if not satisfied.](#)
- [Join Over 80000 Happy Readers](#)

Book Descriptions:

We have made it easy for you to find a PDF Ebooks without any digging. And by having access to our ebooks online or by storing it on your computer, you have convenient answers with canon a540 repair manual . To get started finding canon a540 repair manual , you are right to find our website which has a comprehensive collection of manuals listed.

Our library is the biggest of these that have literally hundreds of thousands of different products represented.



Book Descriptions:

canon a540 repair manual



Basic Camera User Guide

Please Read This First

This guide explains how to prepare the camera and use its basic features.



You might not need every tool for every procedure. The camera takes 2 AA sized alkaline batteries, or can be charged with a separate ACK800 AC Adapter kit. The name of the camera appears clearly on the very front near the lens and on the top near the settings wheel. There was a defect that caused a short, which made the camera overheat, sometimes causing burns to users, and drastically hindering battery life. Canon replaced all defective units free of charge, whether under warranty or not. This page requires Javascript. Modify your browsers settings to allow Javascript to execute. See your browsers documentation for specific instructions. To install your download click on the name of the downloaded file. Access your account, or create a new account, click here to get started. Figures for Movie Mode represent total capacity of the particular media. Canon, PowerShot and DIGIC are registered trademarks, and SELPHY and PIXMA are trademarks, of Canon Inc. Mac is a trademark of Apple Computer, Inc., registered in the United States and other countries. All other products and brand names are registered trademarks, trademarks or service marks of their respective owners. Recommended Software File Name Date File Size Optional Software File Name Date File Size Recommended Manuals File Name Date File Size Optional Manuals File Name Date File Size The Product purchased with this limited warranty is the only PowerShot Digital Camera to which this limited warranty applies. Warranty exchange or replacement does not extend the original warranty period of the Product. The sole warranty, if any, with the respect to such nonCanon brand items is given by the manufacturer or producer thereof. This limited warranty covers all defects encountered in normal use of the Products, and does not apply in the following cases A Canon Customer Care representative will attempt to diagnose the nature of the problem and correct it over the telephone. <http://gesundezellen.com/neu/userfiles/docucolor-252-manual.xml>

- 1.0.

FIGURE 03 MOUNTING HARDWARE (NP-3525)
本体取付部品 (NP-3525)

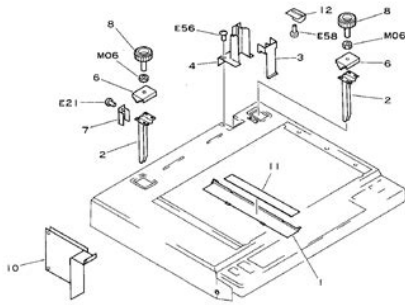


FIGURE & KEY NO.	PART NUMBER	R E V.	Q T Y	DESCRIPTION	SERIAL NUMBER/REMARKS
03 -	NPW		BP	MOUNTING HARDWARE (NP-3525)	
1	FA3-9769-000		1	PLATE, REFLECTION	
2	FA4-2501-000		2	SCREW 1	
3	FA4-2502-000		1	COVER, CODE, FRONT	
4	FA4-2503-000		1	COVER, CODE, REAR	
6	FA3-4557-000		2	MOUNTING PLATE	
7	FA3-4560-000		1	SPACER	
8	FA3-4562-000		2	WHEEL, ADJUST	
10	FH3-2062-000		1	DC POWER SUPPLY	100V, 115V
	FH3-2063-000		1	DC POWER SUPPLY	220V, 240V
11	FA3-8849-000		1	LABEL, BLACK	
12	FA4-7250-000		1	ACTUATOR, MICROSWITCH	

03-1 COPYRIGHT © 1998 CANON INC. CANON IS A TRADEMARK. PC REV. 3 MAR. 1998 PRINTED IN JAPAN (IMP/IMP BY JAPAN)

If the problem cannot be corrected over the telephone, you will be asked to follow the applicable procedures for MAILIN SERVICE. Note that a dated proof of purchase is required at the time of service. MAILIN SERVICE is a program under which your Product is repaired by a Canon U.S.A. or a Canon Canada authorized service center for the Product. You will be given the name, address and phone number of an authorized service center. It is your responsibility to properly package and send the defective Product, together with a copy of your dated proof of purchase, a complete explanation of the problem and a return address to the authorized service center at your expense. Do not include any other items with the defective Product. The Product covered by this limited warranty and proven to be defective upon inspection will be repaired and returned to you without charge by the authorized service center. Any Product received by the authorized service center that is not covered by the limited warranty will be returned unrepaired, or at the discretion of the authorized service center, you may receive a written estimate of repair at such cost as the service center may establish from time to time. Scroll down to easily select items to add to your shopping cart for a faster, easier checkout. Visit the Canon Online Store Provides uninterrupted power for shooting or downloading. Effectively doubles the flash range of the camera. Comes with mounting bracket. We have 12 Canon PowerShot A540 manuals available for free PDF download User Manual, Software Users Manual, Advanced Users Manual, Software Starter Manual, Software Manual, Basic Users Manual, System Map. Discover everything Scribd has to offer, including books and audiobooks from major publishers. Start Free Trial Cancel anytime. <http://www.sewersp.com/fckfiles/docucolor-250-service-manual.xml>

ENGLISH

Canon

**PowerShot A540****PowerShot A530**

DIGITAL CAMERA



Photo of PowerShot A540

Preparation
Shooting
Playback/Erasing
Menus and Settings
Printing
Downloading Images to a Computer

Basic**Camera User Guide****Please Read This First**

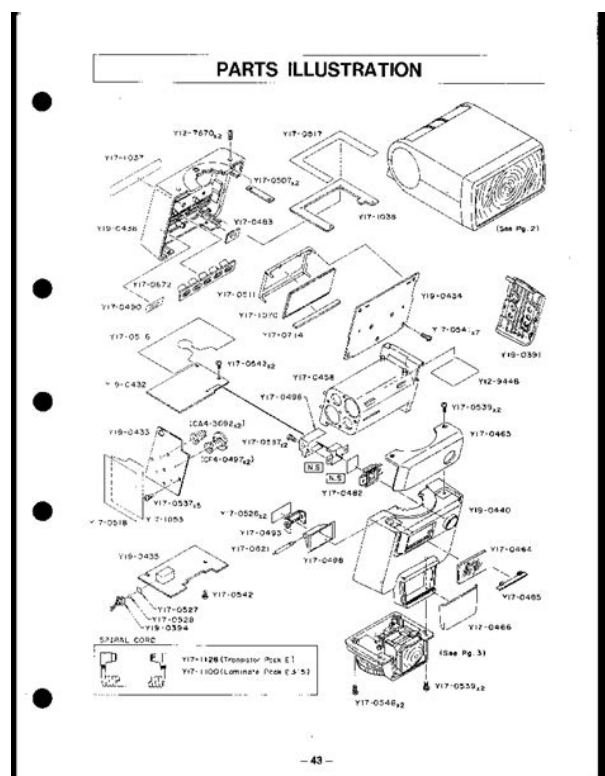
This guide explains how to prepare the camera and use its basic features.



Report this Document Download Now save Save Canon gp405 service manual For Later 100% 11
 100% found this document useful 11 votes 23K views 682 pages Canon gp405 service manual
 Uploaded by nazmi Description Full description save Save Canon gp405 service manual For Later
 100% 100% found this document useful, Mark this document as useful 0% 0% found this document
 not useful, Mark this document as not useful Embed Share Print Download Now Jump to Page You
 are on page 1 of 682 Search inside document Browse Books Site Directory Site Language English
 Change Language English Change Language. Depression, ADHD, memory loss, agitation These may
 seem like inevitable byproducts of modern lives spent multitasking, not getting enough sleep, and
 operating on digital overload. But while much of the brain's work still remains a mystery, a growing
 body of scientific evidence suggests that the food you eat directly affects how well your brain
 functions. Brain health also pl.The guests range from super celebs Jamie Foxx, Arnold
 Schwarzenegger, etc. and athletes icons of powerlifting, gymnastics, surfing, etc. to legendary
 Special Operations commanders and blackmarket biochemists. For most of my guests, it's the first
 time they. Please do not offer the downloaded file for sell only use it for personal usage. Looking for
 other manual For this no need registration. May be help you to repair. You could suffer a fatal
 electrical shock. Instead, contact your nearest service center. Note! To open downloaded files you
 need acrobat reader or similar pdf reader program. In addition, Also some files are djvu so you need
 djvu viewer to open them. These free programs can be found on this page needed progs If you use
 opera you have to disable opera turbo function to download file. If you cannot download this file, try
 it with CHROME or FIREFOX browser. Eredetileg a fej dugulasa miatt nem nyomtatott. A fej
 sikerult teljesen kitisztitani, minden jarat tisztta, fuvokakon nincs serules.

Elektromosan kimerve a fejteljesen normalis ertekek, szoval nincs zarlat sehol. A patronokat
 felismeri, tintaszinteteket latja, fejtisztitast elvegzi. Nyomtataskor a statuszablakban semmilyen
 hibakod nincs, teljesen normalis, nyomtat is, viszont a papirra egy csepp tinta nem kerul. A hasznalt
 tinta tartaly meg nem ert el kritikus ertekeket, a biztonsag kedveert visszaallitottam 20%os
 telitettsegre, az sem hasznalt. Probaltam vadonatuj patronokkal, tobbszori melytisztitassal, hogy
 toltse fel ujra a fejet. Kb. a tintak felet elhasznalta, latszik is, hogy mar lucskos a fej, de semmit nem
 nyomtat, meg a fuvokatesztre sem. Probaltam gyari eredeti patronokat atteni egy masik
 nyomtatobol, felismeri, tisztitja, de nem nyomtat veluk sem. Itt elakadt a tudomany, barmi otletet

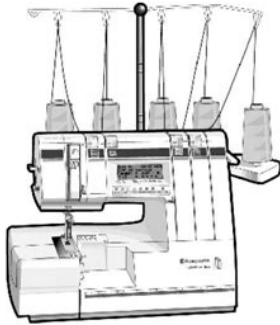
szivesen veszek. Canon iP2000 Sziasztok! A fenti nyomtato hasznalt tinta tartalyat,hogyan tudom reszetelni. CANON MG5250 Nyomtato B200 hibakod Sziasztok!Ismeri valaki Canon IP4200 szinesen nem nyomtat Sziasztok! Az elso hiba jelenseg normal papir beallitasnal csak a felso reszet nyomtatja ki rendesen a tobbi lemarad. A mai napon mar szivesen egyaltalan nem nyomtat. A nyomtato fejek kitesztitottam. Otleteket kernek. Hiba kod egyeb nincs!nem jelzi siman kinyomtatja az ures lapot. Ui a fekete most fogyott ki amig nem javul meg nem cserelem ki. Similar manuals You can write in English language into the forum not only in Hungarian. Canon iRAdvance 4035i imageRUNNER Advance 4045 Canon iRAdvance 4045F. We can directly use technical cookies, but you have the right to choose whether or not to enable statistical and profiling cookies. Enabling these cookies, you help us to offer you a better experience.



<http://fsc1.ru/content/4-zone-2-wire-alarm-system-ls400-manual>

<http://finrusinvest-global.com/images/broward-college-policy-manual.pdf>

SERVICE MANUAL



HUSKYLOCK
MODEL 936

Copyright © 2005 Husqvarna AB. All Rights Reserved.

Made in Sweden
May 2005

104 72 49-26 (Rev. D)
© Husqvarna 100 12 49-05

<https://walnutcreekdowntown.com/images/brothers-ql-500-manual.pdf>

ENGLISH

Canon



PowerShot A540
PowerShot A530
DIGITAL CAMERA



Photo of PowerShot A540

Preparation	
Shooting	
Playback/Erasing	
Menus and Settings	
Printing	
Downloading Images to a Computer	

Basic

Camera User Guide

Please Read This First

This guide explains how to prepare the camera and use its basic features.



<https://www.partyshuttlebus.com.au/wp-content/plugins/formcraft/file-upload/server/content/files/16>

[270f7a9596c2---bowflex-revolution-exercises-manual.pdf](#)

<https://formations.fondationmironroyer.com/en/node/9076>